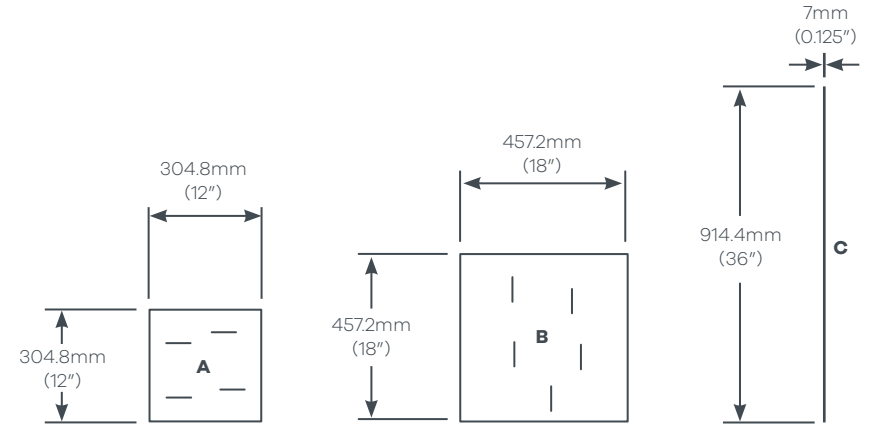
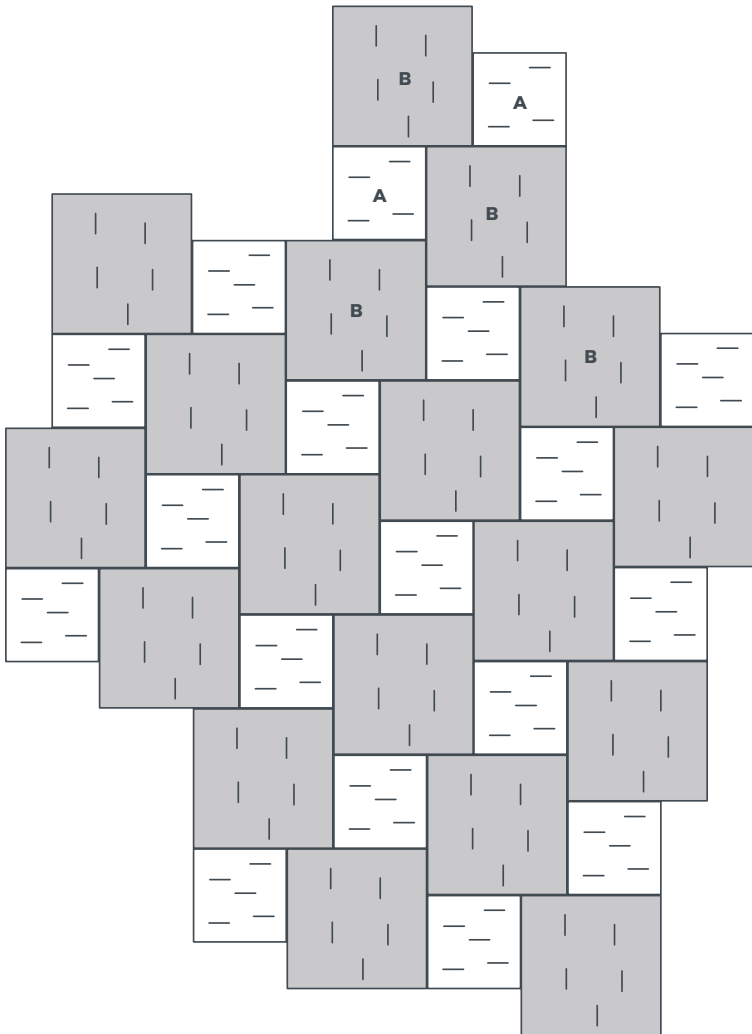


Product Installation Sheet  
**Spacia**

# Field Stone

## Field Stone Laying Pattern



**Ratio for installation**

**A** = 30%

**B** = 70%